



Planet
Ocean Ltd



The surest measure of a changing world

TRSF-1 TRAWL RESISTANT SEABED FRAME



The TRSF-1 frame was designed to overcome the problems associated with corrosion of fabricated steel frames and to offer a level of trawl resistance.

The frame is fabricated from welded polyethylene, and is extremely strong and of course corrosion proof, it also has a natural anti-fouling property. It has stainless steel fittings throughout. We can embed Stainless Steel eyes for securing battery canisters etc inside the envelope of the frame.

Two chains are used for deployment with a safe loop rope through them, when the rope is pulled through, the chains drop back inside the frame to maintain the anti trawl characteristics. Below the top face plate is secured a 10mm thick stainless steel plate to prevent the deployment chains pinching in on the instrument. The base has a 300mm sq hole through it (and the concrete) too allow water flow as it deploys resulting in a level decent. 4 stainless steel eyes are provided for recovery lines, cables etc.

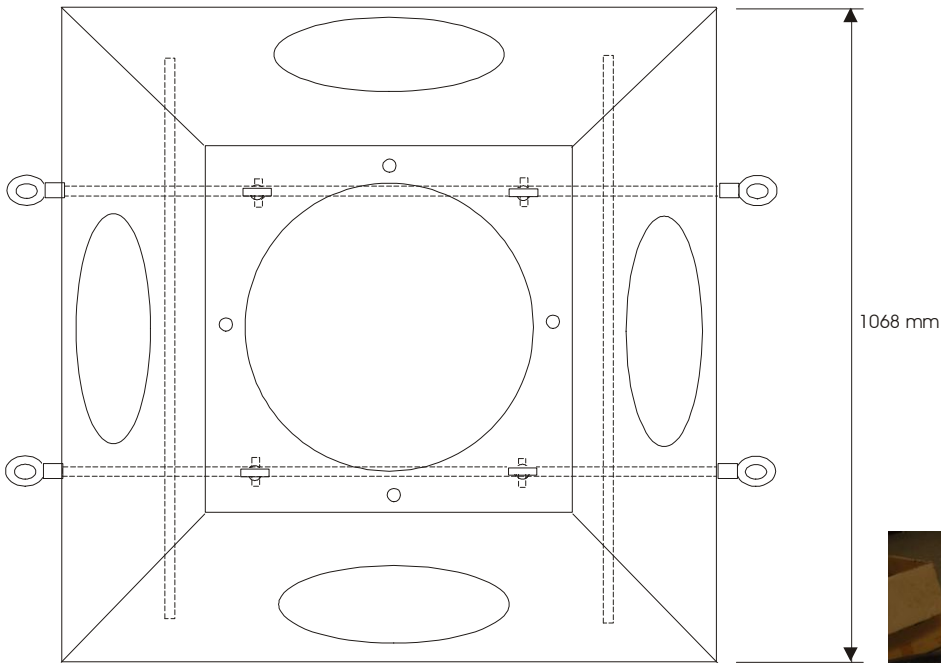
The TRSF-1 is offered in two versions, one complete with internal concrete ballast, and the other without ballast but with internal reinforcing rods, all steel work etc.

As Standard the top is machined to take an AWAC without gimbal. Gimbals are available to special order. The top plate can be provided machined for any suitable instrument, or left blank.

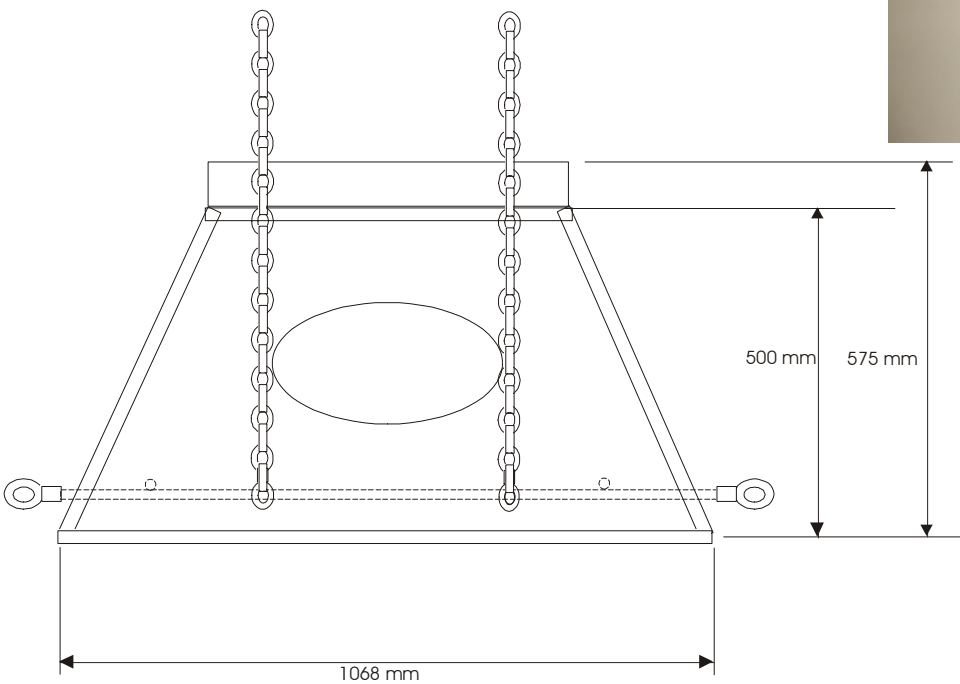
With concrete the TRSF-1 weight is approximately 300 Kgs, with and overall height of 575mm including the fence around the AWAC is has a footprint of 1068 x 1068 mm. Additional ballast weight can be added if required.

We are able to produce variants of the TRSF-1 to special order, smaller, larger, shallower, taller etc.

PLEASE CONTACT US TO DISCUSS YOUR CHOICE.



FRAME WITHOUT CONCRETE.
Weight in air 50 kgs



Approx weight of concrete in air = 289 Kgs
 Approx weight of concrete in water = 139 kgs

TRSF-1 iss A Aug 2008